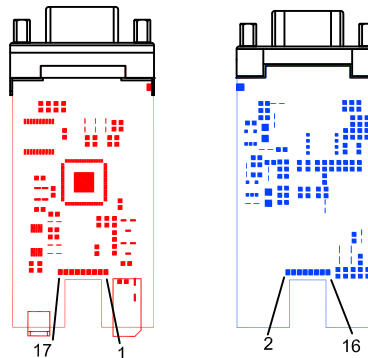
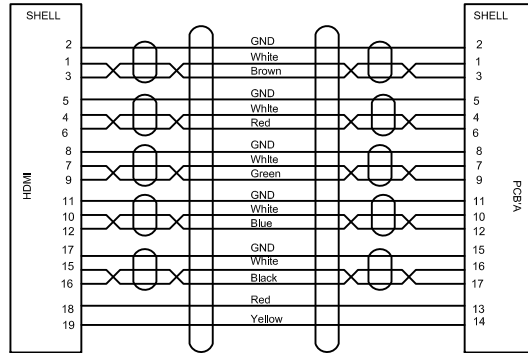
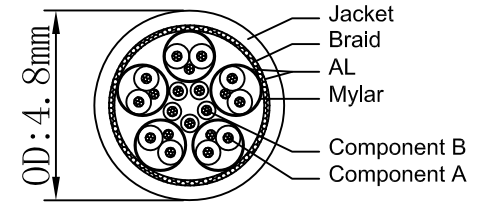
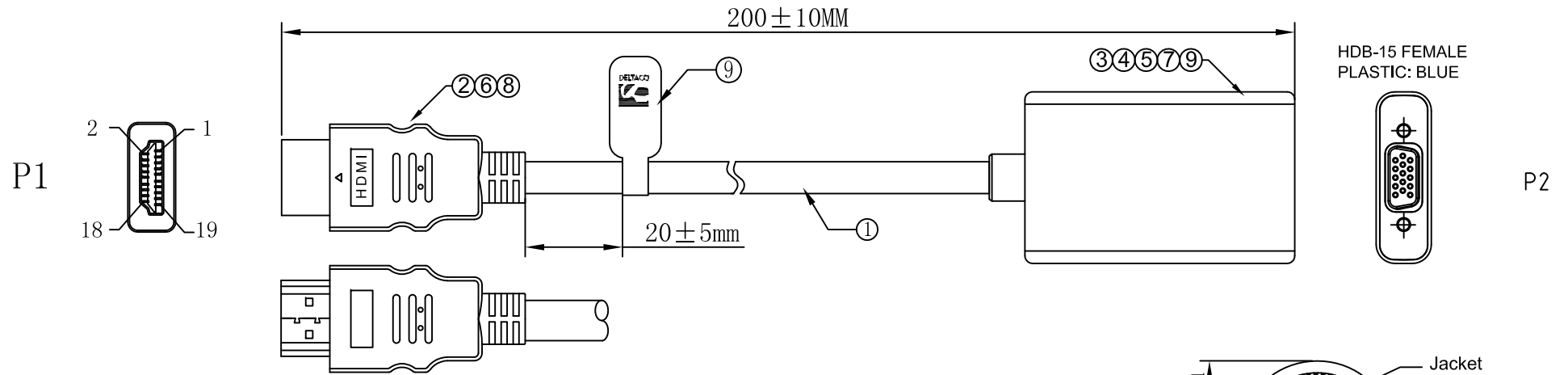


RoHS Compliant

REV	DESCRIPTION OF CHANGE	DATE
A0	INITIAL RELEASE	2012-10-10



- NOTES:
- ELECTRICAL PROPERTIES:
    - 100% open and short test.
    - Conductor resistance: 5 OHMS
    - Insulation resistance: 10 MEGOHMS
    - Hi pot: DC300V/0.01S
    - Audio & Video test, Output resolution: 1920\*1080 P
  - All material be ROHS compliant.

NO.	Material name	Item number	Specifications Description	Quantity
9	tag	AM-BQ0268	White background, Black character(HDMI-VGA8)	1 Pcs
8	PVC	PVC-0002	60P PVC White	5.10g
7	PVC	PVC-0002	60P PVC White	2.50g
6	PE	PE-0001	LDPE (RoHs)	1.80g
5	Lid	SL-WH0246	VGA White Shell	1 Pcs
4	Shell	SL-WH0207	VGA White Shell (smooth)	1 Pcs
3	Connector	XY-C216-111-G	HDMI to VGA (F) PCB' A, gold-plated	1 Pcs
2	Connector	CN-G0022	HDMI (M), gold-plated	1 Pcs
1	Cable	DP0-48-3452	UL20276 [(34#*1P+D+AL+MY)*5P+*34#*5C+AL+B16/10/0.08TC], JACKET PVC WHITE OD=4.80±0.15mm L=140+5/-0MM	1 Pcs

图号 (DWG NO)	XY-A0598	单位 (UNIT):	MM		
版次 (REV):	A0	比例 (SCALE):	1:1		
页次 (PAGE):	1/1			TITLE	HDMI M to VGA F+Power+Audio Cable
设计 (DESIGN)	Dean	<small>DIMENSIONS ARE IN MILLIMETERS TOLERANCES:</small> LINEAR: X ± 1.0 XX ± 0.5 XXX ± 0.15 XXXX ± 0.05 ANGULAR: ± 0.5°		PART NO	HDMI-VGA8
审核 (CHECKED)					
核准 (APPROVED)					