
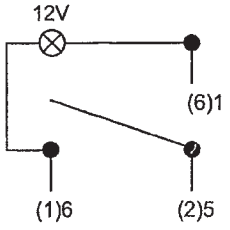
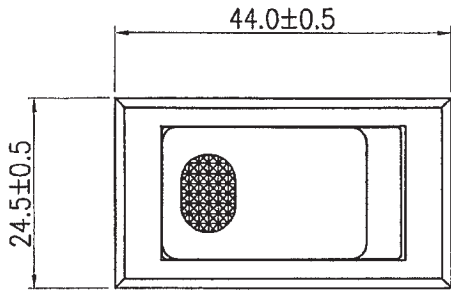
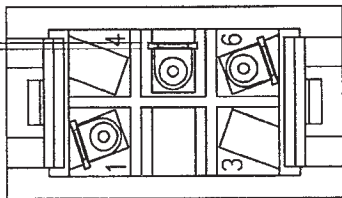
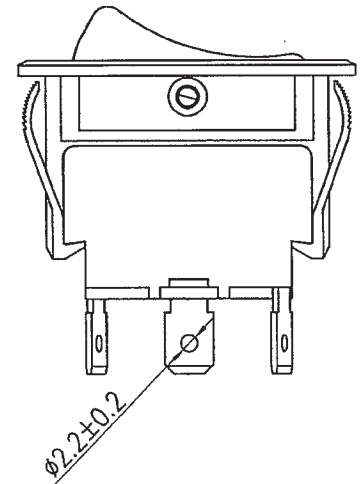
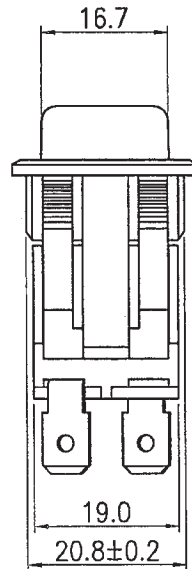
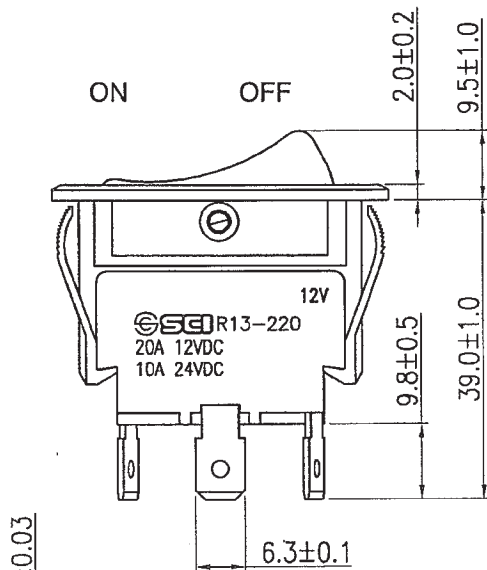


Rating	20A 12VDC	Mounting Hole	Circuit Diagram	
Contact Resistance	50m ohm Max.			
Insulation Resistance	DC 500V 100M ohm Min.			
Dielectric Strength	AC 1500V 1 minute			
Switch Function	3P SPST ON-OFF (Illuminated)			
Operation Force	900±300g			
		Thickness	X	Y
		0.75...1.25	21.2+0.1	37.3-0.1
		1.25...2	21.2+0.1	37.5-0.1
		2...3	21.2+0.1	37.9-0.1



Material:
 Frame: PF, Black
 Actuator: Nylon-66, Black
 Lens: PC, Red
 Printed: None



Tolerances ±0.3 Unless Otherwise Specified

						△
						△
Date	Name	Description				NO
Drawn	Checked	Approved	SCI BOM NO.	1823725	Model Name	ROCKER SWITCH
周傑輝	符子明	Shin	Customer No.		Model No.	R13-220BA-01
10/28/13	10/29-13	10/30-13	Unit	mm	Shin Chin Industrial Co., Ltd.	
						Rev. 0